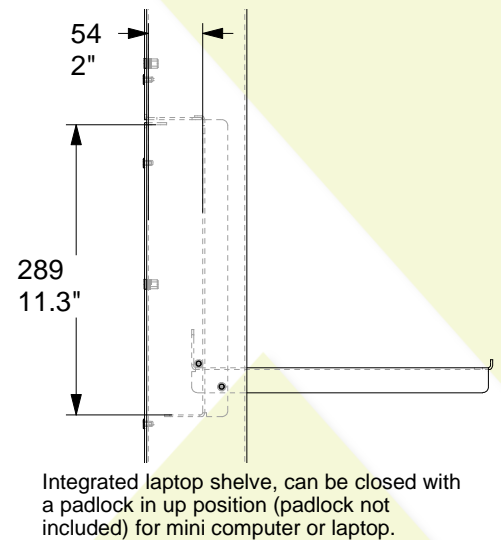
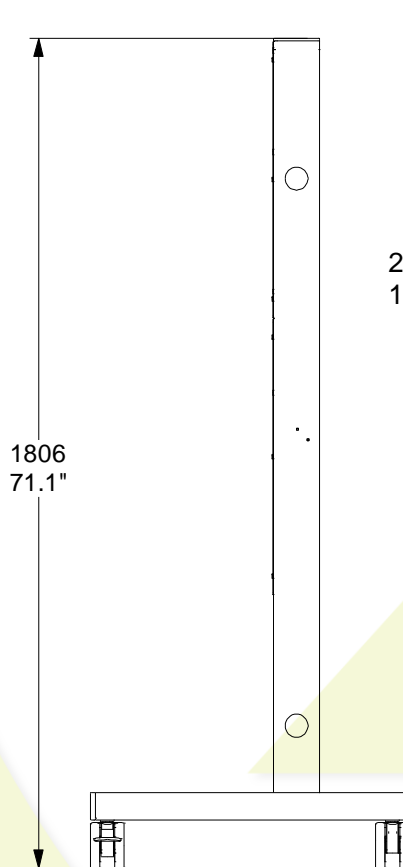
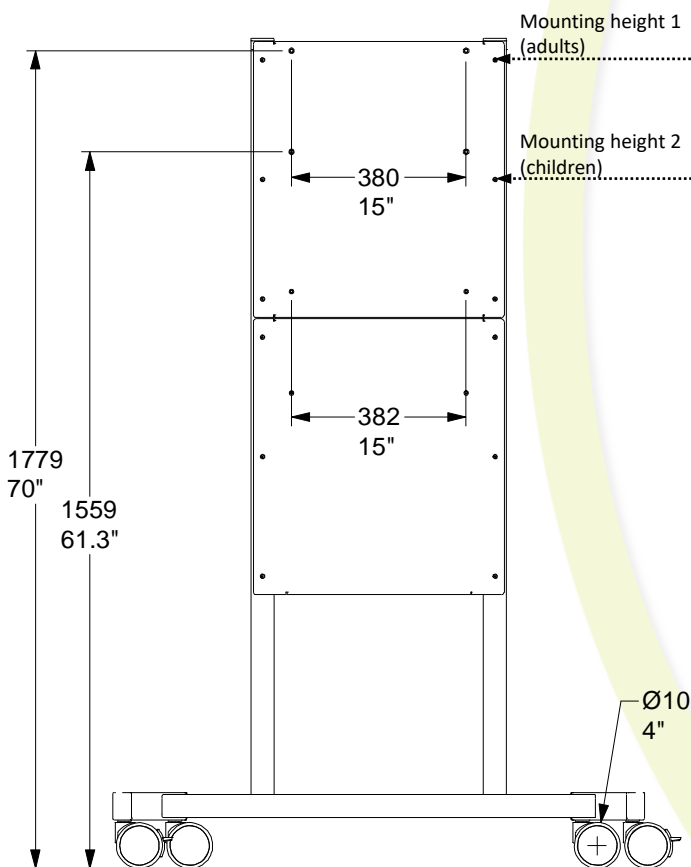
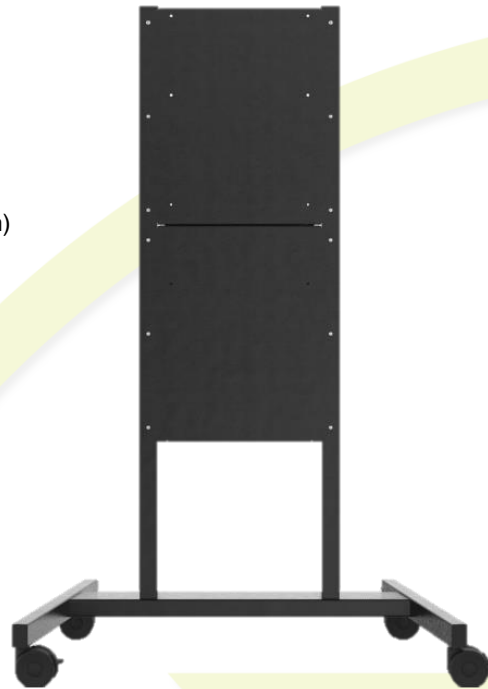
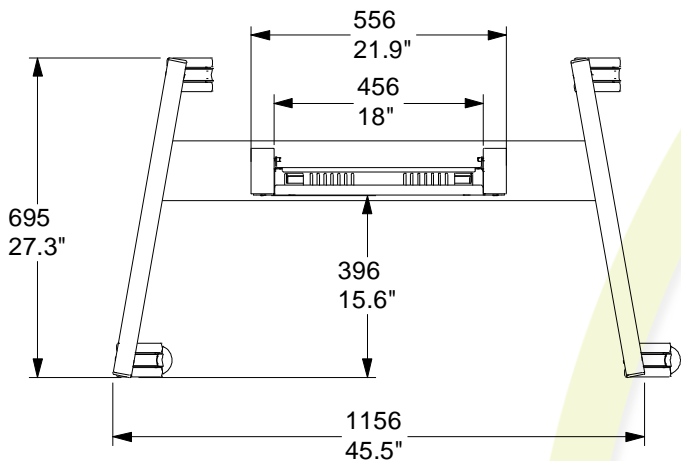


The BalanceBox®400 Mobile stand is made for use with the BalanceBox®400 range of height adjustable mounts or with the VESA bracket reference 481A70 for a fixed height installation for use with interactive touch panels.

The mobile stand offers two mounting positions for the BalanceBox® or vesa bracket for use by adults or with children.

The BalanceBox®400 offers a fast manual height adjustment of 15 ¾" (400 mm) for panels up to 200 lbs (90 kg).

Product dimensions:



Mobile stand for the BalanceBox®400 Product datasheet

Product Specifications 481A31002 Mobile stand for BalanceBox® 400				Shipping dimensions				
	metric		US / imperial		metric		US / imperial	
	value	units	value	units	value	units	value	units
Length	1806 mm		71 inch		1750 mm		68.9 inch	
Width	1156 mm		45.5 inch		950 mm		37.4 inch	
Depth	695 mm		27.3 inch		190 mm		7.5 inch	
Weight	41,5 kg		91.5 lbs		47 kg		103.6 lbs	
Pallet (max. 10 pcs/pallet)								
Length					1750 mm		68.9 inch	
Width					950 mm		37.4 inch	
Height					120 mm		4.7 inch	
Weight					23 kg		50.7 lbs	
Load capacity	125 kg		275 lbs					
Wheels diameter	100 mm		4 inch					
Material	Steel frame							
Finish	Powder coated in color: Black RAL9005							

- For use with the BalanceBox®400 height adjustable mount system for interactive touch panels
- For fixed height mounting use VESA bracket reference 481A70
- Cable management through 2" / 50 mm holes in the frame
- Casters 4" / 100mm black nylon design with non-marking PU tires, 2 with brake

- Integrated flip-down laptop shelve on the back, doubles as a lockable enclosure for a mini computer or laptop.
- Padlock not included

