

## Specifications

# iQ appliance with Intel® Compute Card for SMART Board® interactive displays

## Model AM50

### Overview

The iQ appliance with Intel® Compute Card is designed specifically to work with SMART Board 6000<sup>1</sup>, 6000 Pro<sup>2</sup>, 7000 and 7000 Pro series interactive displays to provide a complete all-in-one experience for classrooms. This solution caters to a whole class, a small group, or individual instruction.

When you install the AM50 model of the iQ appliance in a supported interactive display, you have one-touch access to a full suite of SMART education and third-party applications without connecting an external computer. These applications include the powerful whiteboard, a built-in web browser, access to a number of SMART Learning Suite applications, and multi-platform wireless screen sharing. These native iQ applications provide a simple, yet powerful onboard experience that connects student devices and the interactive display.

Install an Intel Compute Card in the appliance to provide a fully functional Windows® 10 solution at your fingertips, without the need for an external PC or cabling. Choose from three different compute card options to provide a consistent room-to-room Windows Full HD experience, including access to apps in the Microsoft® Store for Education.

---

#### NOTE

Each Intel Compute Card comes with Windows 10 Pro.

---

See [smarttech.com](http://smarttech.com) for more information about the iQ appliance for SMART Board interactive displays.



---

<sup>1</sup>See *Interactive displays* on page 4 under Installation requirements for more information.

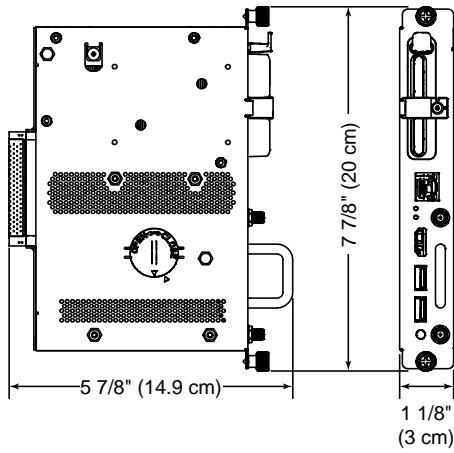
<sup>2</sup>See *Interactive displays* on page 4 under Installation requirements for more information.

SPECIFICATIONS

**iQ APPLIANCE WITH INTEL COMPUTE CARD FOR SMART BOARD INTERACTIVE DISPLAYS – MODEL AM50**

## Dimensions and weights<sup>3</sup>

### Dimensions



### Weight

2 lb. 10 oz. (1.2 kg)

### Shipping dimensions

12" W × 3" H × 9 1/4" D

(30.4 cm × 7.5 cm × 23.4 cm)

### Shipping weight

3 lb. 2 oz. (1.4 kg)

## Hardware

<b>Processor</b>	RK3399, Dual-core A72+Quad-core A53, 64 bits, 2 GHz
<b>Memory</b>	4 GB DDR3L SDRAM
<b>Storage</b>	32 GB eMMC 5.1
<b>Wireless technology</b>	Bluetooth® 4.1 802.11A/B/G/N/AC
<b>Capture options</b>	Establish a Bluetooth wireless connection with a supported mobile device (see below) by scanning the appliance's unique QR code
<b>Connectors</b>	HDMI 1.4 (3840 × 2160) output for external monitor USB 3.0 Type-A (for iQ) USB 3.0 Type-A (for Intel® compute card) RJ45 Gigabit Ethernet

<sup>3</sup>All dimensions ± 1/8" (0.3 cm). All weights ± 2 lb. (0.9 kg).

<b>Intel Compute Cards</b> <sup>4</sup>	Intel Pentium® Processor N4200 (2M cache, up to 2.5 GHz)
	4 GB LPDDR3-1866 MHz RAM
	Intel HD Graphics 505
	64 GB embedded storage
	Intel Dual Band Wireless-AC 7265
	Integrated Bluetooth 4.2
	Windows 10 Pro
	Intel Core™ m3-7Y30 Processor (4M cache, up to 2.60 GHz)
	4 GB LPDDR3-1866 MHz RAM
	Intel HD Graphics 615
	128 GB embedded storage
	Intel Dual Band Wireless-AC 8265
Integrated Bluetooth 4.2	
Windows 10 Pro	
Intel Core i5-7Y57 Processor (4M cache, up to 3.30 GHz)	
8 GB LPDDR3-1866 MHz RAM	
Intel HD Graphics 615	
128 GB embedded storage	
Intel vPro™ Technology	
Intel Dual Band Wireless-AC 8265	
Integrated Bluetooth 4.2	
Windows 10 Pro	

## iQ system software

<b>Supported languages</b>	Danish
	Dutch
	English
	French
	German
	Italian
	Japanese
	Korean
	Norwegian
	Russian
	Simplified Chinese
	Spanish
	Swedish
	Traditional Chinese
	Vietnamese

## Installation requirements

<b>Appliance</b>	See the <i>iQ appliance for SMART Board 6000 and 7000 series interactive displays installation instructions</i> ( <a href="http://smarttech.com/kb/171294">smarttech.com/kb/171294</a> )
------------------	--

<sup>4</sup>AM50 can be ordered with one of the following compute cards. For more information, see [ark.intel.com/#@@PanelLabel121325](http://ark.intel.com/#@@PanelLabel121325).

**SMART kapp app**

Apple devices	iOS 9 or later operating system software 50 MB of storage iPhone 4S or later Third generation iPad or later First generation iPad mini or later Fifth generation iPod touch or later
---------------	---

Android devices <sup>5</sup>	Android 4.4.4 (KitKat) or later operating system 50 MB of storage (internal or SD card) 1024 MB of RAM 720p or better screen resolution Bluetooth 2.1 + EDR 3 megapixel or better rear-facing camera (recommended)
------------------------------	---

**SMART kapp viewer**

Mobile	Safari for iOS 8.1 or later operating system software Chrome for Android 39.0.2171.93 or later
--------	---

Desktop	Internet Explorer 10 or later Chrome 39.0.2171.95 or later Firefox 34.0.5 or later Safari 8.0 or later
---------	---

**Interactive displays**

SMART Board 7000 and 7000 Pro series interactive displays	All SMART Board 7000 and 7000 Pro series interactive displays
---	---

SMART Board 6000 and 6000 Pro with iQ series interactive displays	SPNL-6365-V3 (SMART Board 6065-V3 with iQ and Intel Compute Card interactive display) SBID-6365 (SMART Board 6065-V3 with iQ and Intel Compute Card interactive display) SPNL-6365P (SMART Board 6065 Pro with iQ and Intel Compute Card interactive display) SPNL-6375P (SMART Board 6075 Pro with iQ and Intel Compute Card interactive display)
---	---

**Interactive displays for upgrade**

SMART Board 6000 and 6000 Pro series interactive displays	SPNL-6065-V3 (SMART Board 6065-V3 interactive display) SBID-6065 (SMART Board 6065-V3 interactive display) SPNL-6065P (SMART Board 6065 Pro interactive display) SPNL-6075P (SMART Board 6075 Pro interactive display)
---	---

**NOTE**

An AM50 iQ appliance is not included with these displays but these displays support the AM50 iQ appliance.

**SMART Notebook™ software**

See *SMART Notebook 18 release notes* ([smarttech.com/kb/171298](http://smarttech.com/kb/171298))

**SMART Meeting Pro™ software**

See SMART Meeting Pro 4 release notes ([smarttech.com/kb/170982](http://smarttech.com/kb/170982))

<sup>5</sup>See [support.google.com/chromecast/answer/6293757?vid=0-518783598150-1524691699161](http://support.google.com/chromecast/answer/6293757?vid=0-518783598150-1524691699161) for more information.

## Storage and operating requirements

<b>Power requirements</b>	12–19VDC at 2.5–1.6A
<hr/>	
<b>Power consumption</b>	
Power consumption at 77°F (25°C) without Intel compute cards	≤30 W
<hr/>	
Power consumption at 77°F (25°C) with Intel compute cards	<60 W
<hr/>	
<b>Operating temperature</b>	41–95°F (5–35°C)
<hr/>	
<b>Storage temperature</b>	-40–140°F (-40–60°C)
<hr/>	
<b>Humidity</b>	85% relative humidity, non-condensing

## Certification and compliance

<b>Regulatory certification</b>	UL (U.S./Canada), FCC, ISED, CE Mark, RCM Mark
<hr/>	
<b>Environmental compliance</b>	
European Union	REACH, RoHS, WEEE, Battery and Packaging
<hr/>	
U.S.	CONEG Packaging, CA Proposition 65 and Conflict Minerals

## Purchasing information

<b>Order number</b>	
UGK-AM50-EDU	iQ appliance with Intel Compute Card for SMART Board interactive displays
<hr/>	
UGK-AM50-PRO	iQ appliance with Intel Compute Card for SMART Board Pro interactive displays
<hr/>	
<b>Optional accessories</b>	See <a href="http://smarttech.com/accessories">smarttech.com/accessories</a>
<hr/>	
<b>Warranty</b>	Three-year limited equipment warranty

[smarttech.com/support](http://smarttech.com/support)  
[smarttech.com/contactsupport](http://smarttech.com/contactsupport)

© 2018 SMART Technologies ULC. All rights reserved. SMART Board, smarttech, the SMART logo and all SMART taglines are trademarks or registered trademarks of SMART Technologies ULC in the U.S. and/or other countries. Intel, Intel Core, Pentium and Celeron are trademarks of Intel Corporation in the U.S. and/or other countries. Microsoft and Windows are either registered trademarks or trademarks of Microsoft Corporation in the United States and/or other countries. The Bluetooth word mark is owned by the Bluetooth SIG, Inc. and any use of such marks by SMART Technologies ULC is under license. All other third-party product and company names may be trademarks of their respective owners. This product and/or use thereof is covered by one or more of the following U.S. patents: [www.smarttech.com/patents](http://www.smarttech.com/patents). Contents are subject to change without notice. 11-2018.