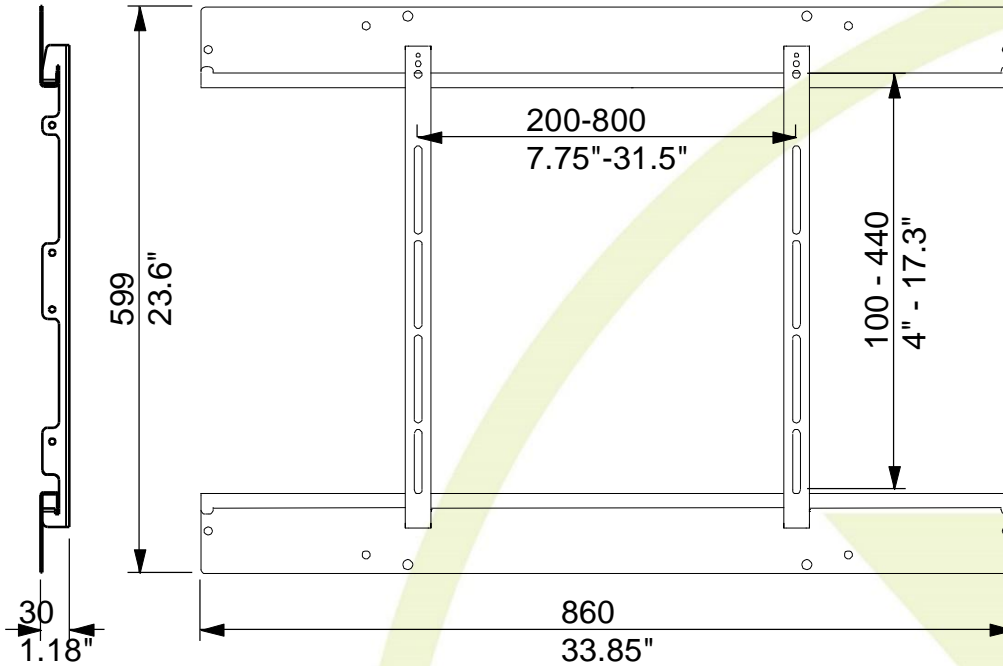
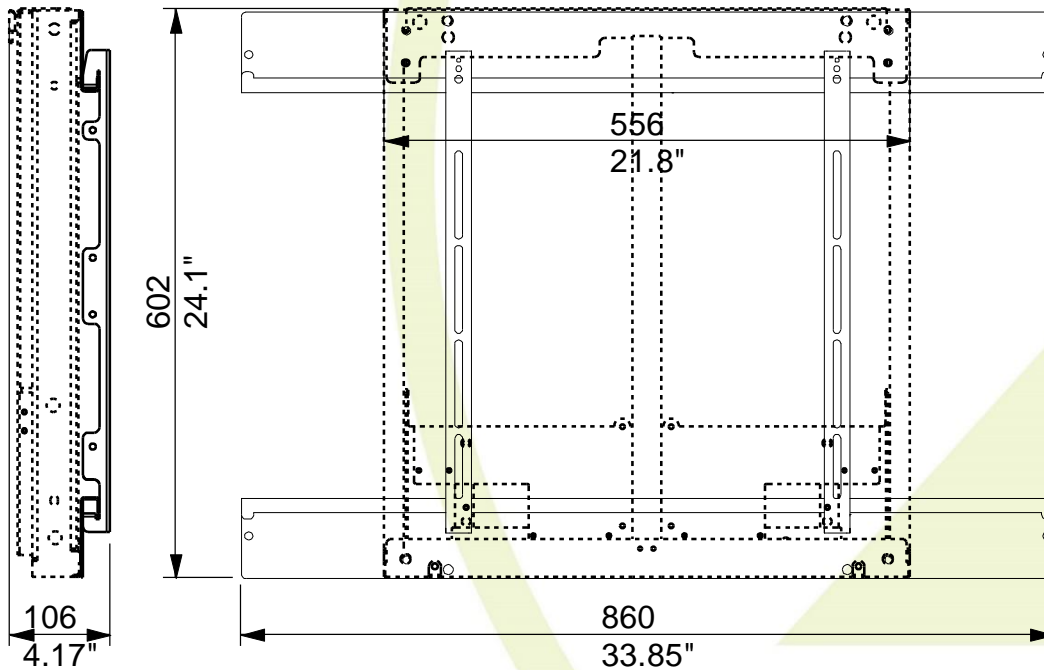


Dimensions:



Dimensions mounted on BalanceBox® 400 (not included)



Screen mounting hardware included metric: M4, M6, M8

## Touchscreen Mounting Interface for the BalanceBox® 400

Product Specifications				Shipping dimensions					
		metric		US / imperial		metric		US / imperial	
		value	units	value	units	value	units	value	units
<b>Length</b>		860	mm	33.85	inch	945	mm	37.20	inch
<b>Height</b>		599	mm	23.60	inch	135	mm	5.30	inch
<b>Depth</b>		30	mm	1.18	inch	45	mm	1.77	inch
<b>Weight</b>		4,2	kg	9.25	lbs	4,6	kg	10.1	lbs
<b>Max load capacity</b>		95	kg	210	lbs				
<b>Material</b>	Sheet steel								
<b>Finish</b>	Powdercoated black RAL9005								

BalanceBox® 400 Selection guide by screen weight						
		metric		US / imperial		
from - to	units	from - to	units	Choose BalanceBox®	Order nr.	
<20	kg	<44	lbs	n.a.	n.a.	
20-38	kg	44-83	lbs	BalanceBox® 400 - 40	480A03	
38-66	kg	83-145	lbs	BalanceBox® 400 - 70	480A02	
66-91	kg	145-200	lbs	BalanceBox® 400 - 90	480A03	
>91	kg	>200	lbs	Choose BalanceBox® 650		