

SMART Board® MX-V2-C series

SBID-MX255-V2-C
 SBID-MX265-V2-C
 SBID-MX275-V2-C
 SBID-MX286-V2-C



DISPLAY	
Screen sizes (diagonal)	55", 65", 75", 86"
Backlight	LED
Aspect ratio	16:9
Maximum display resolution	4K UHD (3840 × 2160)
Refresh rate	60 Hz
Lifespan	≥ 50,000 hours
Brightness	55": ≥ 300 cd/m ² 65", 75", 86": ≥ 400 cd/m ²
Response time	≤ 8 ms
Viewing angle	178°
Glass	Fully heat-tempered, anti-glare
Glass thickness	4 mm
Frame color	White
Front control panel	Power, home, volume, input select, screen shade, freeze frame
Sensors	Ambient light, infrared
Audio	2 integrated 15 W speakers

INTERACTIVE EXPERIENCE	
Touch technology	HyPr Touch™ with Advanced IR
Touch features	Simultaneous tool differentiation Object awareness™ Silktouch™
Typical response time	21 ms

Frame rate	100 frame/s maximum
Accuracy	Average 1.5 mm or better
Minimum object size	3 mm
Multitouch capabilities	Up to 20 simultaneous interaction points (Windows® and Mac) Up to 10 simultaneous interaction points (Chrome OS™)
Tools included	Pens (×2)
Tool holders	Magnetic, frame-mounted

SOFTWARE	
iQ Android™-based embedded computing	Included
SMART Notebook® basic	Included
SMART Ink and SMART Product Drivers	Included
SMART Remote Management	Subscription for length of included warranty
SMART Learning Suite	Bonus 1-year subscription

IQ EXPERIENCE	
Operating system	Android™ version 8.0
Memory	4 GB DDR
Storage	32 GB

smarttech.com
 smarttech.com/contact

© 2021 SMART Technologies ULC. All rights reserved. SMART Board, smarttech, the SMART logo and all SMART taglines are trademarks or registered trademarks of SMART Technologies ULC in the U.S. and/or other countries. All third-party product and company names may be trademarks of their respective owners. This product and/or use thereof is covered by one or more of the following U.S. patents: www.smarttech.com/patents. Contents are subject to change without notice. February 25, 2021.

Embedded applications and features	SMART Notebook Player Personalized Home screen and settings Live input preview Digital whiteboard Web browser Interactive widgets Templates, graphic organizers and manipulatives Native and app-based screen sharing File and app libraries Automatic over the air (OTA) updates
Object awareness supported	✓
Ability to run third-party applications	✓
Cloud storage access	✓
Languages supported	Chinese (simplified), Chinese (traditional), Czech, Danish, Dutch, English, Estonian, Finnish, French, German, Greek, Hungarian, Italian, Japanese, Korean, Latvian, Lithuanian, Norwegian, Polish, Portuguese, Romanian, Russian, Slovak, Slovenian, Spanish, Swedish, Ukrainian, Vietnamese, Welsh
PC COMPUTING	
OPS support	✓
OPS-C support	✓
PC module power supported OPS	60 W
Available computing modules	SMART OPS PC with Windows® 10 Pro SMART Chromebox

INPUTS	Front	Back
OPS PC accessory slot (60 W devices)	–	1
HDMI 2.0 in with HDCP 1.4 and HDCP 2.2 support ¹	1	2

INPUTS	Front	Back
VGA in	–	1
Stereo 3.5 mm in (for VGA in)	–	1
RS-232 room control (DB-9 connector)	–	1
RJ45 Ethernet (passthrough)	–	2
USB Type-C 4K @ 60Hz Display Port alternate mode, touch, and digital audio; 15 W power delivery	1	–
USB 3.0 Type-A (for currently selected input source)	–	1
USB 3.0 Type-B (for touch)	1	3
USB 2.0 Type-A (for currently selected input source)	1	–
USB 2.0 Type-A (for service use)	–	1
USB 2.0 Type-A (for the display)	1	–

OUTPUTS	Qty
HDMI® 2.0 out with HDCP 2.2 support ¹	1
Stereo 3.5 mm out (variable)	1
S/PDIF out (fixed)	1

INCLUDED CABLES AND ACCESSORIES	Qty
Country-specific power cable	1
16' 5" (5 m) USB 2.0 cable	1
Pen	2
Antenna	2
Wall mount	1
Remote control	1
AAA battery	2
Illustrated installation instructions	1
Important information document	1

CONNECTIVITY	
Wired	RJ45 (×2) 100Base-T

¹HDCP is always enabled. Content is shown in 480p resolution if the external display doesn't support HDCP.

SMART Board **MX series**

Wi-Fi	IEEE 802.11 a/b/g/n/ac with 2 × 2 MIMO (both 2.4 and 5 GHz bands) supporting WEP, WPA, WPA2 PSK, and 802.1X EAP authentication protocols
--------------	--

Bluetooth	4.2 dual mode
------------------	---------------

STORAGE AND OPERATING REQUIREMENTS

Power requirements	100V to 240V AC, 50 Hz to 60 Hz
---------------------------	---------------------------------

Operating temperature	41–95°F (5–35°C)
------------------------------	------------------

Storage temperature	-4–140°F (-20–60°C)
----------------------------	---------------------

Humidity	5–80% relative humidity, non-condensing
-----------------	---

POWER CONSUMPTION

Typical	55": 98 W 65": 119 W 75": 114 W 86": 167 W
----------------	---

Standby	< 0.5 W
----------------	---------

CERTIFICATION AND COMPLIANCE (PARTIAL)²

U.S. / Canada	UL, FCC, ISED, CONEG Packaging, Proposition 65
----------------------	--

EU / EEA / EFTA / UK	CE, UKCA, LVD, CB, EMCD, RED, REACH, RoHS, Battery, WEEE, Packaging, POP, Ecodesign
-----------------------------	---

Australia / New Zealand	RCM
--------------------------------	-----

Performance standards	ENERGY STAR®, HDMI, USB
------------------------------	-------------------------

PURCHASING INFORMATION

Order number: SBID-MX255-V2-C	SMART Board MX055-V2-C interactive display with iQ and SMART Learning Suite
--------------------------------------	---

Order number: SBID-MX265-V2-C	SMART Board MX065-V2-C interactive display with iQ and SMART Learning Suite
--------------------------------------	---

Order number: SBID-MX275-V2-C	SMART Board MX075-V2-C interactive display with iQ and SMART Learning Suite
--------------------------------------	---

Order number: SBID-MX286-V2-C	SMART Board MX086-V2-C interactive display with iQ and SMART Learning Suite
--------------------------------------	---

Optional accessories	See smarttech.com/accessories
-----------------------------	--

WARRANTY

SMART Assure warranty	Includes advanced hardware replacement and access to onsite support. Terms and conditions vary by region. Contact your local reseller or distributor for information and visit smarttech.com/warranty .
------------------------------	---

CABLE REQUIREMENTS

HDMI	Certified high speed HDMI (18 Gbps) Maximum length: 23' (7 m)
-------------	--

USB 2.0	USB 2.0 certified Hi-Speed (480 Mbps) support Maximum length: 16' (5 m)
----------------	---

USB 3.0	USB 3.0 certified SuperSpeed (5 Gbps) support Maximum length: 9' (3 m)
----------------	--

USB Type-C	USB 3.2 Gen 1 certified SuperSpeed (5 Gbps) support Maximum length: 6' (2 m)
-------------------	--

More information	See smarttech.com/kb/171721
-------------------------	--

²Product availability may vary by region.

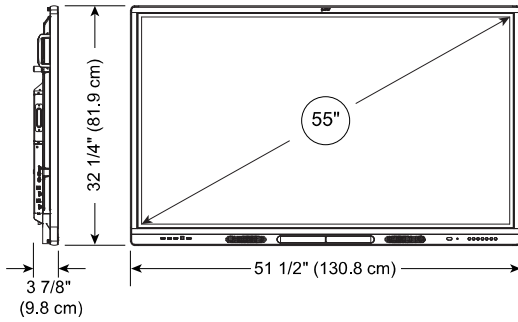
INSTALLATION, DIMENSIONS, AND WEIGHTS

NOTES

- All dimensions $\pm 1/8"$ (0.3 cm). All weights ± 2 lb. (0.9 kg).
- Product ships upright.

SBID-MX255-V2-C

Dimensions



Weight

75 lb. 12 oz. (34.4 kg)

Shipping dimensions (including pallet)

56" W \times 35 5/8" H \times 9 3/8" D
(142.3 cm \times 90.4 cm \times 23.5 cm)

Shipping weight

113 lb. (51.1 kg)

VESA mount

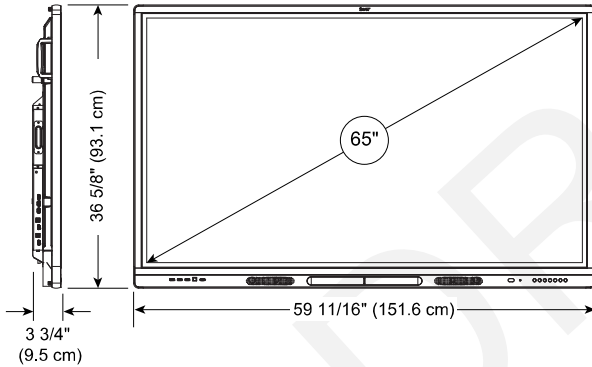
M8, 400 mm \times 400 mm

Handles

2

SBID-MX265-V2-C

Dimensions



Weight

102 lb. (46.1 kg)

Shipping dimensions (including pallet)

66 3/8" W \times 45 3/4" H \times 10 1/4" D
(168.5 cm \times 116.2 cm \times 26 cm)

Shipping weight

137 lb. (62 kg)

VESA mount

M8, 600 mm \times 400 mm

Handles

2

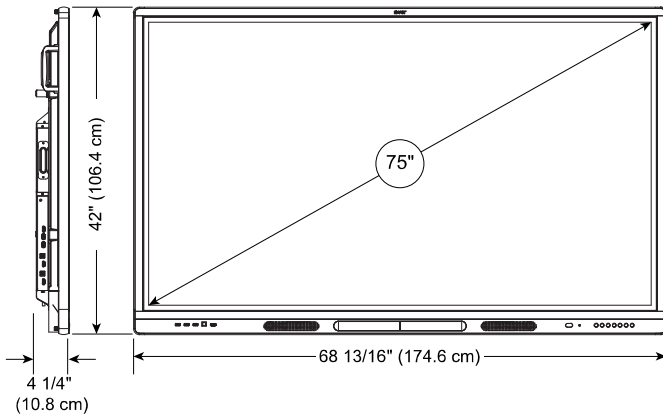
INSTALLATION, DIMENSIONS, AND WEIGHTS

NOTES

- All dimensions $\pm 1/8"$ (0.3 cm). All weights ± 2 lb. (0.9 kg).
- Product ships upright.

SBID-MX275-V2-C

Dimensions



Weight

142 lb. (64.3 kg)

Shipping dimensions (including pallet)

75" W \times 50 1/4" H \times 11 5/8" D (190.5 cm \times 127.7 cm \times 29.5 cm)

Shipping weight

192 lb. (87 kg)

VESA mount

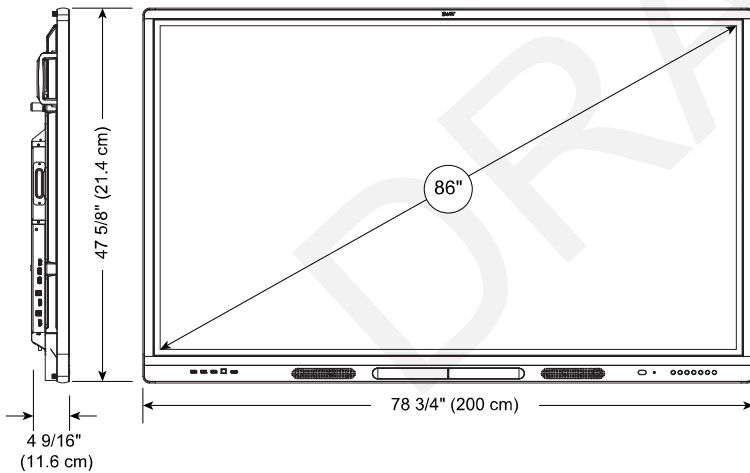
M8, 600 mm \times 400 mm

Handles

2

SBID-MX286-V2-C

Dimensions



Weight

181 lb. (82.3 kg)

Shipping dimensions (including pallet)

85 1/4" W \times 57 3/8" H \times 11 5/8" D (216.5 cm \times 145.7 cm \times 29.5 cm)

Shipping weight

233 lb. (105.5 kg)

VESA mount

M8, 700 mm \times 400 mm

Handles

2