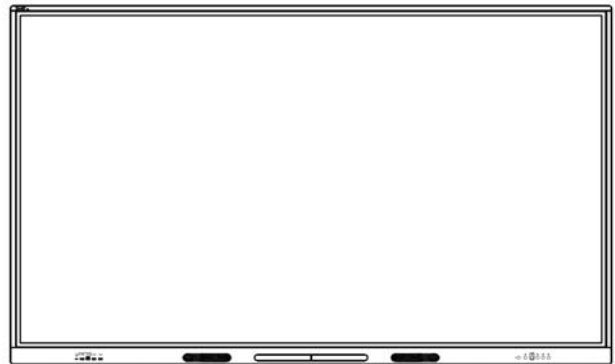




# SMART<sup>®</sup>



## *Service Parts Diagrams*

**For Model:**

**GX165-V3**

**GX175-V3**

**GX186-V3**

# Service Parts Diagrams Revision History

## Revision 1 - January, 2024

- New document

First Customer Ship: December, 2023

# Service Parts Diagrams for the GX165-V3/GX175-V3/GX186-V3

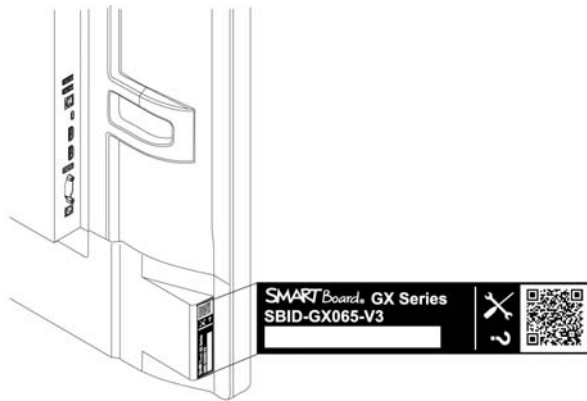
---

Identifying Your Product Using the Serial Number ..... 1  
Service Parts ..... 2



## Identifying Your Product Using the Serial Number

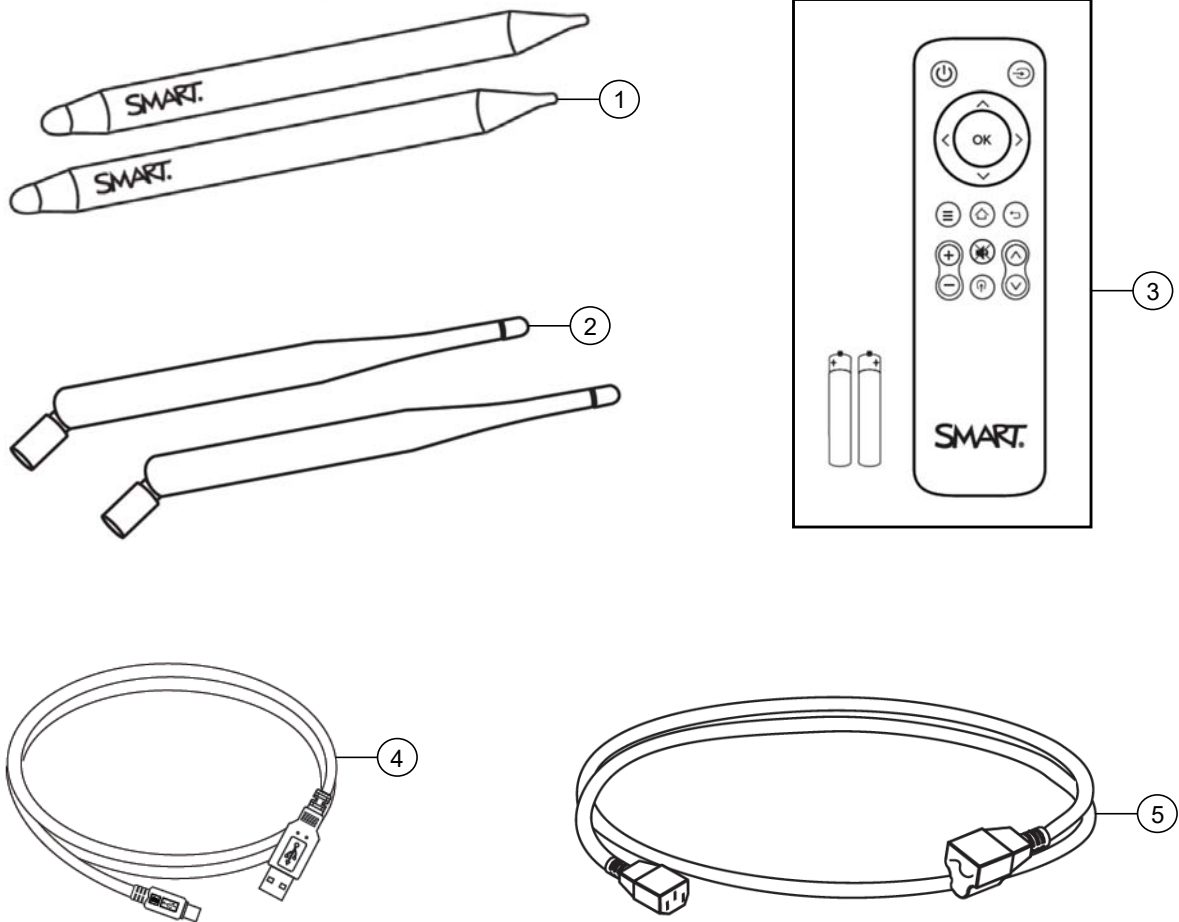
To make sure that you have the correct service parts diagrams, you must verify the serial number of your display. The serial number is on a label on the left side of the display.



Unique Serial Number

**K141PW51S0605**

## Service Parts



| Item | Part No.    | Qty | Description                              |
|------|-------------|-----|--|
| 1    | 1035246     | 2   | Stylus, GX series                        |
| 2    | 1033596     | 2   | Antenna                                  |
| 3    | 1035792     | 1   | Assembly, remote control                 |
| 4    | 1028289     | 1   | Cable, USB, A-B, 16' (5.0 m)             |
| 5    | 1022063     | 1   | Cable, power, North America, 8' (2.4 m)  |
| 5    | 93-055      | 1   | Cable, power, United Kingdom, 8' (2.4 m) |
| 5    | 93-056      | 1   | Cable, power, Australia, 8' (2.4 m)      |
| 5    | 93-054      | 1   | Cable, power, Europe, 8' (2.4 m)         |
| 5    | 93-00708-20 | 1   | Cable, power, China, 8' (2.4 m)          |
| 5    | 93-00654-20 | 1   | Cable, power, Japan, 8' (2.4 m)          |
| 5    | 93-063      | 1   | Cable, power, South Africa, 8' (2.4 m)   |
| 5    | 1018969     | 1   | Cable, power, Singapore, 14' 9" (4.5 m)  |
| 5    | 1018970     | 1   | Cable, power, India, 14' 9" (4.5 m)      |

|           |         |   |   |
|-----------|---------|---|---|
| 5         | 1018971 | 1 | Cable, power, Saudi Arabia, 14' 9" (4.5 m)    |
| 5         | 1018972 | 1 | Cable, power, Brazil, 14' 9" (4.5 m)          |
| 5         | 1025597 | 1 | Cable, power, Argentina, 14' 9" (4.5 m)       |
| 5         | 1025603 | 1 | Cable, power, Chile and Italy, 14' 9" (4.5 m) |
| 5         | 1030859 | 1 | Cable, power, Korea, 8' (2.4 m)               |
| Not shown | 1040446 | 1 | Kit, packaging, SBID-GX165-V3                 |
| Not shown | 1040447 | 1 | Kit, packaging, SBID-GX175-V3                 |
| Not shown | 1040448 | 1 | Kit, packaging, SBID-GX186-V3                 |