

# SMART Board® GX (V3) series



Display	
Screen sizes (diagonal)	65", 75", 86"
Backlight	LED
Aspect ratio	16:9
Maximum display resolution	4K UHD (3840 × 2160)
Refresh rate	60 Hz
Lifespan	≥ 50,000 hours
Brightness <sup>1</sup>	400 cd/m <sup>2</sup>
Response time	≤ 8 ms
Viewing angle	178°
Glass	Fully heat-tempered, anti-glare, bonded glass
Frame color	Black
Convenience buttons	Power, home, freeze frame, volume
Sensors	Ambient light, infrared
Audio	2 integrated 20 W speakers with high fidelity audio

Interactive experience	
Touch technology	Advanced infrared
Touch features	Object Awareness™ <sup>2</sup> Simultaneous Tool Differentiation <sup>3</sup> Silktouch™
Typical response time	≤ 8 ms
Frame rate	≥ 125 Hz
Accuracy	1 mm
Minimum object size	2 mm
Multitouch capabilities	40 – Windows® 32 – Android™ 20 – Mac 10 – Chrome OS™
Tools included	Pens (x2)
Tool holders	Magnetic, frame-mounted

[smarttech.com](http://smarttech.com)  
[smarttech.com/contact](http://smarttech.com/contact)

© 2023 SMART Technologies ULC. All rights reserved. SMART Board, SMART Notebook, SMART Ink, Object Awareness, Silktouch, smarttech, the SMART logo and all SMART taglines are trademarks or registered trademarks of SMART Technologies ULC in the U.S. and/or other countries. Android and Chrome OS are trademarks of Google Inc. The Bluetooth word mark is owned by the Bluetooth SIG, Inc. and any use of such marks by SMART Technologies ULC is under license. The Adopted Trademarks HDMI, HDMI High-Definition Multimedia Interface, and the HDMI Logo are trademarks or registered trademarks of HDMI Licensing Administrator, Inc. in the United States and other countries. All other third-party product and company names may be trademarks of their respective owners. This product and/or use thereof is covered by one or more of the following U.S. patents: [www.smarttech.com/patents](http://www.smarttech.com/patents). Models and specifications may vary by region. Please contact your local representative for details. Contents are subject to change without notice. November 1, 2023.

<sup>1</sup>Brightness of individual displays can vary.

<sup>2</sup>When connected to a computer with SMART Product Drivers

<sup>3</sup>A connected computer with SMART Product Drivers is required. Supported only in SMART Notebook and SMART Ink.

Software	
<b>Built-in Android™ experience</b>	Included
<b>SMART Notebook®</b>	Included
<b>SMART Ink® and SMART Product Drivers</b>	Included
<b>Optional software</b>	See <a href="https://smarttech.com/education">smarttech.com/education</a> and <a href="https://smarttech.com/business">smarttech.com/business</a>

### Built-in Android™ experience

<b>Operating system</b>	Android version 11 (upgradeable to Android 13 <sup>4</sup> )
<b>CPU</b>	Quad-core
<b>Memory</b>	8 GB DDR4
<b>Storage</b>	64 GB
<b>Digital whiteboard</b>	✓
<b>Web browser</b>	✓
<b>Screen sharing</b>	✓
<b>Other features</b>	Input select File manager Overlay Split screen Picture-in-picture (PIP) with touch pass-through Interactive widgets App library
<b>WPS Office</b>	✓
<b>Ability to run third-party applications</b>	✓
<b>Cloud storage access</b>	✓
<b>Languages supported</b>	Arabic, Bulgarian, Chinese (simplified), Chinese (traditional), Croatian, Czech, Danish, Dutch, Estonian, English, Finnish, French, German, Greek, Hungarian, Indonesian, Italian, Japanese, Korean, Latvian, Lithuanian, Norwegian, Polish, Portuguese, Romanian, Russian, Serbian, Spanish, Swedish, Thai, Turkish, Ukrainian, Vietnamese
<b>Updates</b>	Over-the-air (OTA)

<sup>4</sup>Update available in 2024 using a USB drive (not available OTA).

### PC computing

<b>OPS support<sup>5</sup></b>	SMART PCM modules
<b>PC module power supported OPS</b>	90 W
<b>Optional computing modules</b>	See <a href="https://smarttech.com/accessories">smarttech.com/accessories</a>

Inputs	Front	Back
OPS PC accessory slot (90 W devices)	–	1
HDMI® 2.0 with HDCP 1.4 and HDCP 2.2 support	1	2
Display Port 1.2	–	1
VGA video	–	1
Stereo 3.5 mm	–	1
RS-232 room control (DB-9 connector)	–	1
RJ45 (LAN IN)	–	1
USB Type-C 4K @ 60Hz Display Port alternate mode, touch, digital audio, USB 3.2 Gen 1 (DFP) for peripherals; 15 W power delivery	1	–
USB Type-C 4K @ 60Hz Display Port alternate mode, touch, digital audio, USB2.0 Hi-Speed USB	–	1
USB 3.2 Gen 1 Type-A	2	2
USB 2.0 Type-A	–	1
USB 2.0 Type-B	1	1

Outputs	Front	Back
HDMI 2.0 with HDCP 1.4 and 2.2 support	–	1
Stereo 3.5 mm	–	1
Audio S/PDIF	–	1
RJ45 (LAN OUT)	–	1

Included cables and accessories	Qty
Country-specific power cable	1
16' 5" (5 m) USB 2.0 Type A to B cable	1
Pens	2
External dual-band Wi-Fi antenna (2.4 and 5 GHz) and External Bluetooth antenna (2.4 GHz)	2
Remote control	1
AAA batteries	2
Illustrated installation instructions	1
Important information document	1

<sup>5</sup>The support and performance of third-party OPS (Open Pluggable Specification) and OPS-C modules may vary. Conduct proper compatibility testing to avoid potential issues.

### Connectivity

<b>Wired</b>	RJ45 (×2) 1000baseT
<b>Wi-Fi</b>	IEEE 802.11ax (Wi-Fi 6) supporting WEP, WPA, WPA2, WPA3, PSK, and 802.1X EAP authentication protocols Wi-Fi access point
<b>Bluetooth</b>	5.0 dual mode

### Storage and operating requirements

<b>Power requirements</b>	100V to 240V AC, 50 Hz to 60 Hz
<b>Operating temperature</b>	32–95°F (0–35°C)
<b>Storage temperature</b>	14–140°F (-10–60°C)
<b>Humidity</b>	20–80% relative humidity, non-condensing

### Power consumption

<b>Typical</b>	65": 79 W 75": 88 W 86": 119 W
<b>Standby</b>	< 0.5 W

### Certification and compliance<sup>6</sup>

<b>Regulatory models</b>	IDGX65-2, IDGX75-2, and IDGX86-2
<b>US / Canada</b>	cULus, FCC, ISED, TSCA, CONEG Packaging, Proposition 65
<b>EU / EEA / EFTA / UK</b>	CE, UKCA, LVD, CB, EMCD, RED, REACH, RoHS, Battery, WEEE, Packaging, POP, Ecodesign
<b>Australia / New Zealand</b>	RCM
<b>Performance standards</b>	ENERGY STAR®, HDMI

### Purchasing information

<b>Order number: GX165-V3</b>	SMART Board® GX065-V3 interactive display with embedded OS
<b>Order number: GX175-V3</b>	SMART Board GX075-V3 interactive display with embedded OS
<b>Order number: GX186-V3</b>	SMART Board GX086-V3 interactive display with embedded OS
<b>Optional accessories</b>	See <a href="https://www.smarttech.com/accessories">smarttech.com/accessories</a>

### Warranty

<b>SMART limited equipment warranty</b>	Terms and conditions and warranty upgrade options vary by region. Visit <a href="https://www.smarttech.com/warranty">smarttech.com/warranty</a> or contact your reseller for information
---	--

### Cable requirements

<b>HDMI</b>	Certified premium high speed HDMI (18 Gbps) Maximum length: 23' (7 m)
<b>USB 2.0</b>	USB 2.0 certified Hi-Speed (480 Mbps) support Maximum length: 16' (5 m)
<b>USB 3.0</b>	USB 3.0 certified SuperSpeed (5 Gbps) support Maximum length: 9' (3 m)
<b>USB Type-C</b>	USB 3.2 Gen 1 certified SuperSpeed (5 Gbps) support Maximum length: 6' (2 m)
<b>More information</b>	See <a href="https://www.smarttech.com/kb/171861">smarttech.com/kb/171861</a>

<sup>6</sup>Product availability may vary by region.  
This product has received additional certifications not listed here.

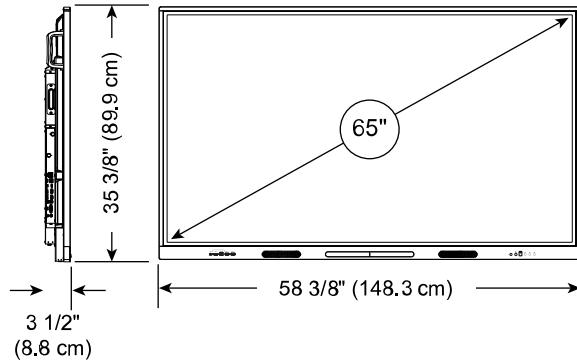
**Installation, dimensions, and weights**

**Notes**

- All dimensions ± 1/8" (0.3 cm). All weights ± 2 lb. (0.9 kg).
- Product ships upright.

**65" models**

**Dimensions**



**Weight**

82 lb. (37 kg)

**Shipping dimensions (including pallet)**

63 3/4" × 45 7/8" × 6 1/4"  
162.0 cm × 116.5 cm × 16.0 cm

**Shipping weight**

118 lb. (54 kg)

**VESA mount**

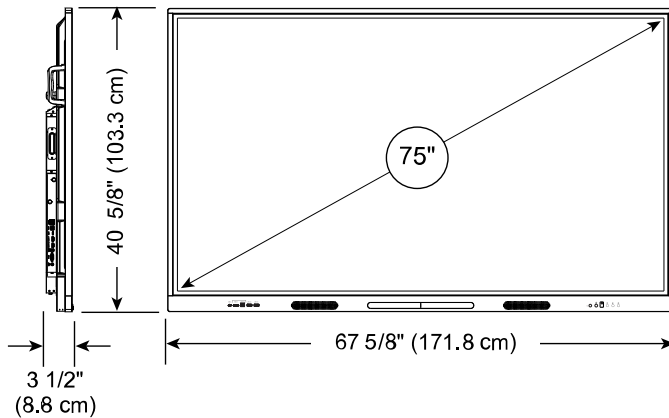
M8, 600 × 400 mm

**Handles**

2

**75" models**

**Dimensions**



**Weight**

114 lb. (52 kg)

**Shipping dimensions (including pallet)**

71 5/8" × 50 5/8" × 6 1/4"  
182.0 cm × 128.5 cm × 16.0 cm

**Shipping weight**

158 lb. (71 kg)

**VESA mount**

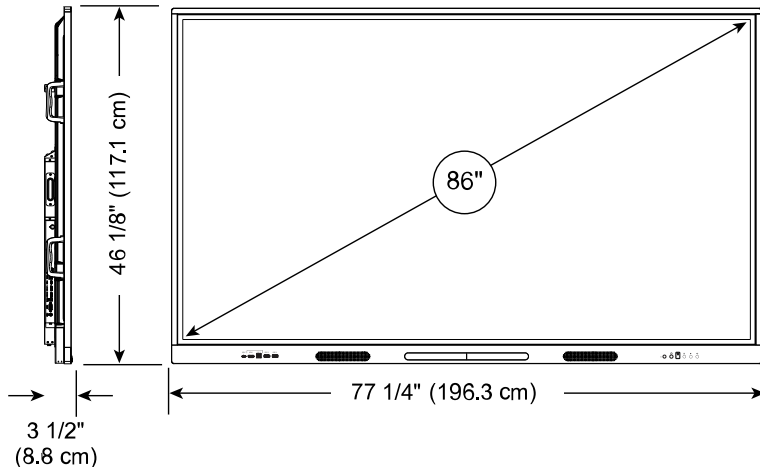
M8, 800 × 400 mm

**Handles**

2

**86" models**

**Dimensions**



**Weight**

143 lb. (65 kg)

**Shipping dimensions (including pallet)**

85 1/4" × 56 7/8" × 6 1/4"  
216.5 cm × 144.5 cm × 16.0 cm

**Shipping weight**

198 lb. (90 kg)

**VESA mount**

M8, 800 × 600 mm

**Handles**

4