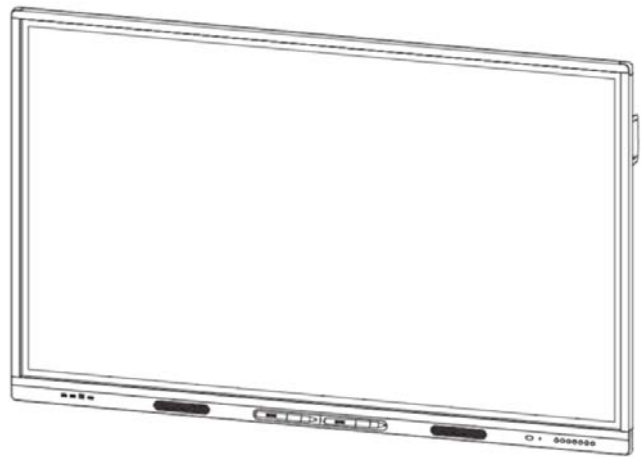


# SMART®



## *Service Parts Diagrams*

**For Model:**

**SBID-MX265-V2**

**SBID-MX275-V2**

**SBID-MX286-V2**

## **Service Parts Diagrams Revision History**

### **Revision 1 - November, 2019**

- New document

### **Revision 2 - January, 2020**

- Change 1033260 to 1033964

### **Standard Warranty Terms**

Base product: Three-year limited equipment warranty

First Customer Ship: October, 2019

---

#### **SMART Technologies**

3636 – Research Road NW

Calgary, AB T2L 1Y1

CANADA

Support +1.403.228.5940 or Toll Free 1.866.518.6791 (Canada/U.S.)

Support Fax +1.403.806.1256

[www.smarttech.com/contactserviceparts](http://www.smarttech.com/contactserviceparts) [www.smarttech.com](http://www.smarttech.com)

The SMART logo consists of the word "SMART" in a bold, stylized, sans-serif font. The letters are black with a white outline, and a registered trademark symbol (®) is located at the bottom right of the letter "T".

# Service Parts Diagrams for the SBID-MX265-V2/SBID-MX275-V2/ SBID-MX286-V2

---

Identifying Your Product Using the Serial Number ..... 1  
Ordering Parts ..... 1  
SBID-MX265-V2/SBID-MX275-V2/SBID-MX286-V2 Parts ..... 2



## Identifying Your Product Using the Serial Number

To make sure that you have the correct service parts diagrams, you must verify the serial number of your SBID-MX265-V2/ SBID-MX275-V2/SBID-MX286-V2. The serial number of the flat panel display will be located on the underside of the bottom bezel.



Serial Number Location

Unique Serial Number

**K052LW35x0001**

(MX265-V2 x=F, MX275-V2 x=G, MX286-V2 x=H)

## Ordering Parts

### Customers

To order any of the parts in these service parts diagrams, contact your local reseller. To find a reseller near you, visit [www.smarttech.com/where](http://www.smarttech.com/where).

### Dealers and Distributors

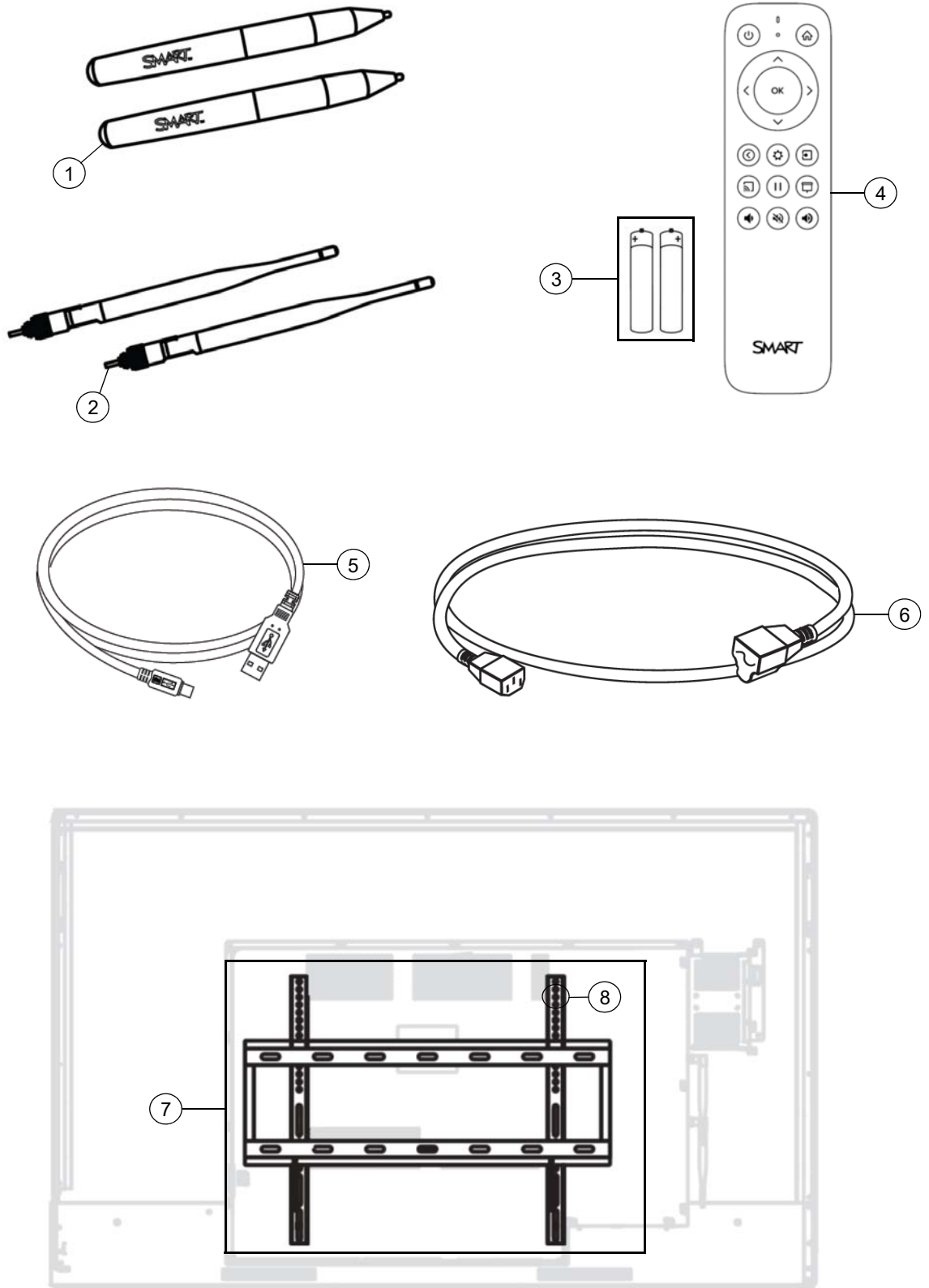
For specific technical and pricing enquiries in regards to these diagrams please contact our service parts department. Pricing is also available on-line via the SOURCE website ([source.smarttech.com](http://source.smarttech.com)).

Web Form: [www.smarttech.com/contactserviceparts](http://www.smarttech.com/contactserviceparts)

Phone: 1.888.42.SMART

International: +1.403.245.0333

# SBID-MX265-V2/SBID-MX275-V2/SBID-MX286-V2 Parts



Item	Part No.	Qty	Description
1	1032715	2	Stylus, SBID - MX
2	1033596	2	Antenna
3	1034118	1	Assembly, batteries, AAA, two pack
4	1033964	1	Assembly, remote control
5	1028289	1	Cable, USB, A-B, 16' (5.0 m)
6	1022063	1	Cable, power, North America, 8' (2.4 m)
6	93-055	1	Cable, power, United Kingdom, 8' (2.4 m)
6	93-056	1	Cable, power, Australia, 8' (2.4 m)
6	93-054	1	Cable, power, Europe, 8' (2.4 m)
6	93-00708-20	1	Cable, power, China, 8' (2.4 m)
6	93-00654-20	1	Cable, power, Japan, 8' (2.4 m)
6	93-063	1	Cable, power, South Africa, 8' (2.4 m)
6	1018969	1	Cable, power, Singapore, 14' 9" (4.5 m)
6	1018970	1	Cable, power, India, 14' 9" (4.5 m)
6	1018971	1	Cable, power, Saudi Arabia, 14' 9" (4.5 m)
6	1018972	1	Cable, power, Brazil, 14' 9" (4.5 m)
6	1025597	1	Cable, power, Argentina, 14' 9" (4.5 m)
6	1025603	1	Cable, power, Chile and Italy, 14' 9" (4.5 m)
6	1030859	1	Cable, power, Korea, 8' (2.4 m)
7	1033778	1	Assembly, wall mount, MX065-V2 <b>NOTE:</b> Includes wall mount and 4 pieces of part number 1032611.
7	1031766	1	Assembly, wall mount, MX075-V2/MX086-V2 <b>NOTE:</b> Includes wall mount and 4 pieces of part number 1032611.
8	1032611	4	Screw, M8 × 24 mm, Phillips, pan head, SEMS split washer <b>NOTE:</b> For attaching wall mount to flat panel display.
Not shown	1033617	1	Kit, packaging, SBID-MX265-V2
Not shown	1033624	1	Kit, packaging, SBID-MX275-V2
Not shown	1033626	1	Kit, packaging, SBID-MX286-V2