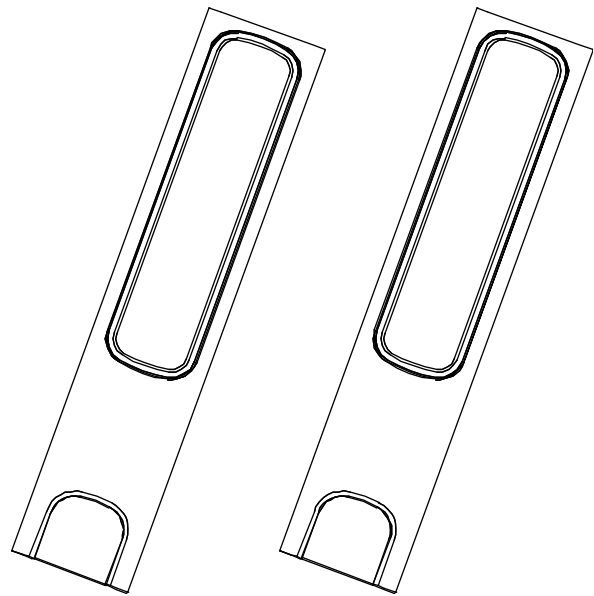




SMART[®]



Service Parts Diagrams

**For Model:
SBA-100**

Service Parts Diagrams Revision History

Revision 1 - September, 2017

- New document

RStandard Warranty Terms

Base product: One-year limited equipment warranty

First Customer Ship: June, 2017

SMART Technologies

3636 Research Road NW
Calgary, AB T2L 1Y1
CANADA

Support +1.403.228.5940 or Toll Free 1.866.518.6791 (Canada/U.S.)

Support Fax +1.403.806.1256

www.smarttech.com/contactserviceparts www.smarttech.com

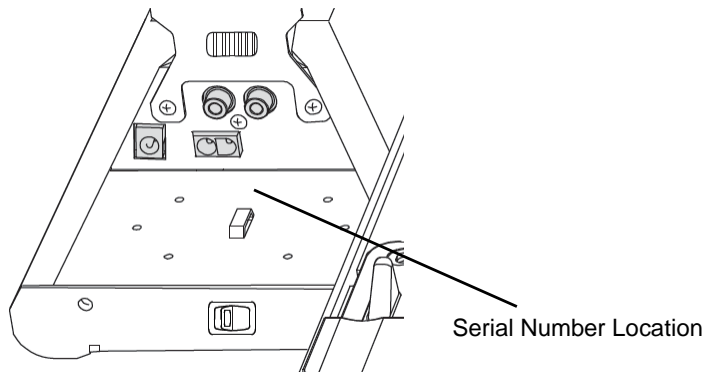


Service Parts Diagrams for the SBA-100

Identifying Your Product Using the Serial Number 1
Ordering Parts 1
SBA-100 Parts 2

Identifying Your Product Using the Serial Number

To make sure that you have the correct service parts diagrams, you must verify the serial number of your SBA-100. The serial number will be located on the back of the control speaker. An example of the serial number format is shown below.



D012JW20H0121

Serial Number Example

Ordering Parts

Customers

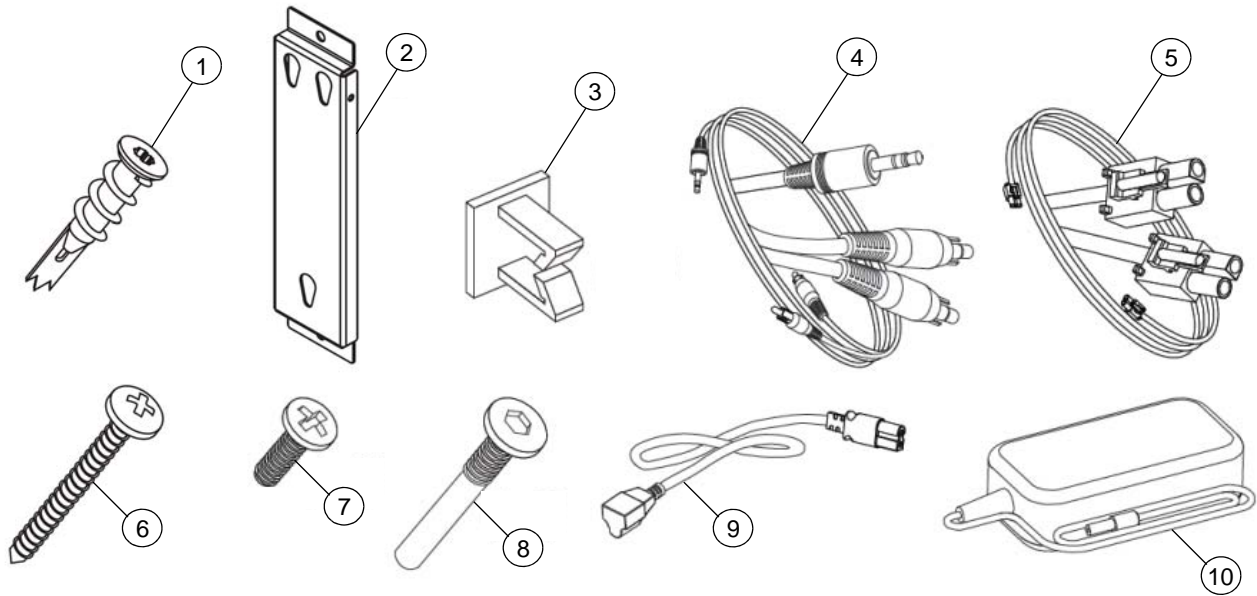
To order any of the parts in these service parts diagrams, contact your local reseller. To find a reseller near you, visit www.smarttech.com/where.

Dealers and Distributors

For specific technical and pricing enquiries in regards to these diagrams please contact our service parts department. Pricing is also available on-line via the SOURCE website (source.smarttech.com).

Web Form: www.smarttech.com/contactserviceparts
Phone: 1.888.42.SMART
International: +1.403.245.0333

SBA-100 Parts



Item	Part No.	Qty	Description
1	30-00122-20	4	Anchor, self drilling, drywall
2	51-00770-20	2	Bracket, wall mounting, speaker
3	30-01281-20	2	Clip, saddle "U", wire management
4	93-00742-20	1	Cable, audio, 3.5 mm male to dual RCA male, 10' 6" (3.2 m) NOTE: Connects control speaker to projector.
5	93-00741-20	1	Cable, audio, speaker, 7' 11" (2.4 m) NOTE: Connects audio from right to left speakers.
6	30-00969	4	Screw, No. 8 × 1", Phillips, truss head NOTE: Threads into drywall anchors for wall mounting.
7	30-00915-20	8	Screw, No. 8 × 1/2", Phillips, pan head, for plastics
8	30-01248-20	2	Screw, M5 × 22 mm, hex socket, button head NOTE: For attaching 51-00770-20 to speaker body.
9	93-00751-20	1	Cable, power, North America, 14' 9" (4.5 m)
9	93-00752-20	1	Cable, power, United Kingdom, 14' 9" (4.5 m)
9	93-00753-20	1	Cable, power, Europe, 14' 9" (4.5 m)
9	93-00754-20	1	Cable, power, Australia, 14' 9" (4.5 m)
9	93-00755-20	1	Cable, power, Japan, 14' 9" (4.5 m)
9	93-00756-20	1	Cable, power, China, 14' 9" (4.5 m)
9	93-00757-20	1	Cable, power, Korea, 14' 9" (4.5 m)
10	1028024	1	Power supply, 15V DC, 4A, universal switching