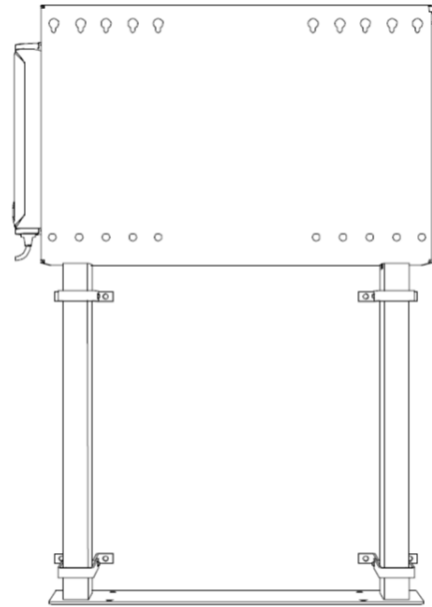




**SMART<sup>®</sup>**



***Service Parts  
Diagrams***

**For Model:  
WSE-400**

## **Service Parts Diagrams Revision History**

### **Revision 1 - August, 2019**

- New document

### **Revision 2 - August, 2020**

- Change warranty from three to five years

### **Revision 3 - September, 2020**

- Change quantity for item 1032667

### **Standard Warranty Terms**

Base product: Five-year limited equipment warranty

First Customer Ship: May, 2019

---

#### **SMART Technologies**

3636 Research Road NW

Calgary, AB T2L 1Y1

CANADA

Support +1.403.228.5940 or Toll Free 1.866.518.6791 (Canada/U.S.)

Support Fax +1.403.806.1256

[www.smarttech.com/contactserviceparts](http://www.smarttech.com/contactserviceparts) [www.smarttech.com](http://www.smarttech.com)



# Service Parts Diagrams for the WSE-400

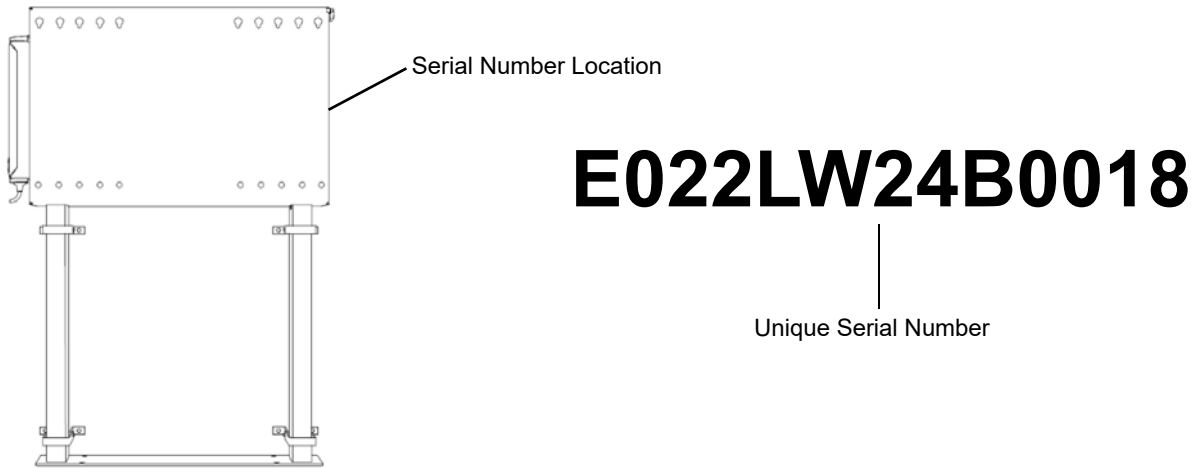
---

Identifying Your Product Using the Serial Number ..... 1  
Ordering Parts ..... 1  
WSE-400 Parts ..... 2



## Identifying Your Product Using the Serial Number

To make sure that you have the correct service parts diagrams, you must verify the serial number of your WSE-400. The serial number is located on the right side of the stand. An example of the serial number format is shown below.



## Ordering Parts

### Customers

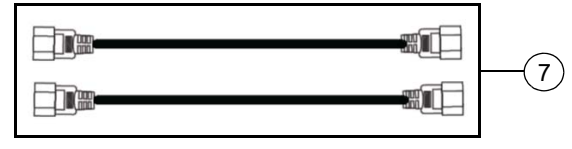
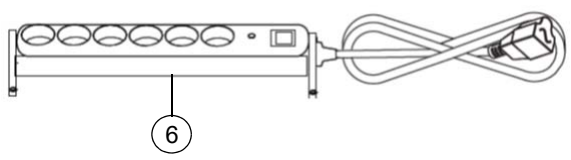
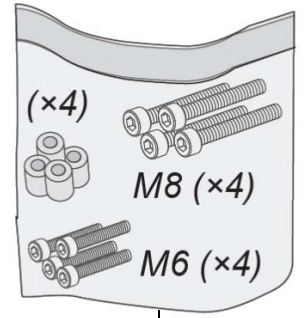
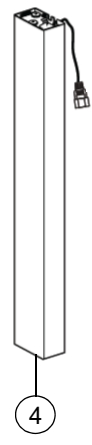
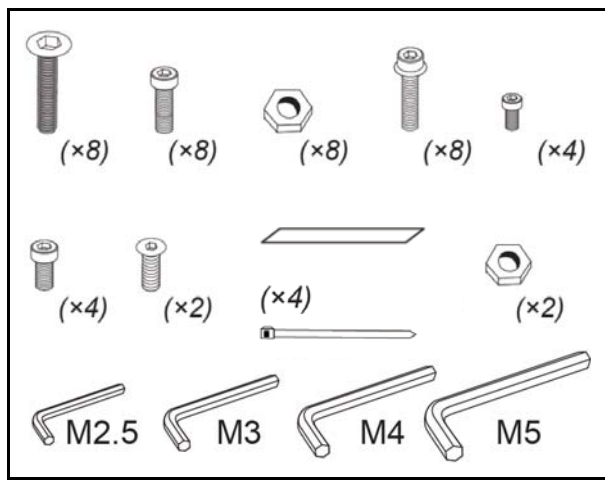
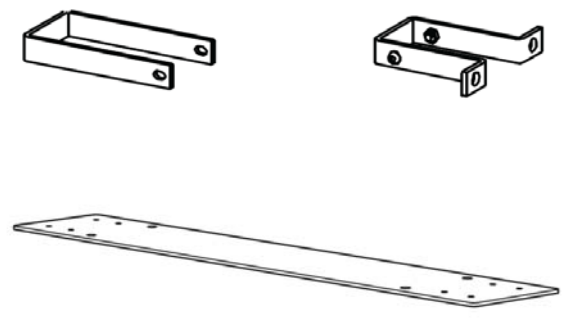
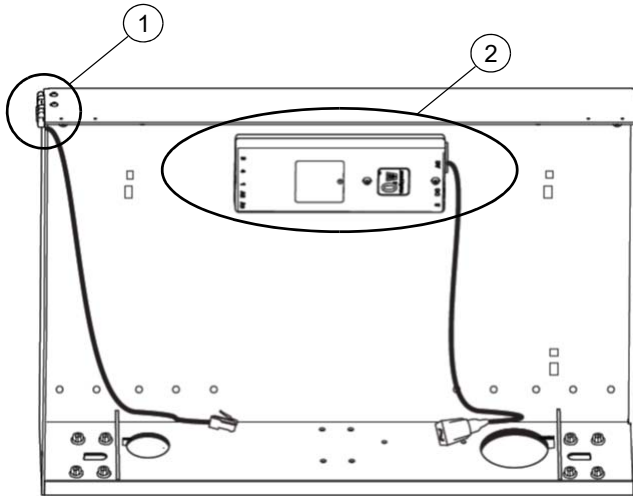
To order any of the parts in these service parts diagrams, contact your local reseller.  
To find a reseller near you, visit [www.smarttech.com/where](http://www.smarttech.com/where).


### Dealers and Distributors

For specific technical and pricing enquiries in regards to these diagrams please contact our service parts department.  
Pricing is also available on-line via the SOURCE website ([source.smarttech.com](http://source.smarttech.com)).

Web Form: [www.smarttech.com/contactserviceparts](http://www.smarttech.com/contactserviceparts)  
Phone: 1.888.42.SMART  
International: +1.403.245.0333

# WSE-400 Parts



Item	Part No.	Qty	Description
1	1032668	1	Desk Panel, SMART Electric Stands FSE-400 & WSE-400 
2	1032666	1	Controller, SMART Electric Stands FSE-400 & WSE-400
3	1032738	1	Stand Assembly Kit, SMART Wall Stand WSE-400
4	1032683	2	Actuator, 99 cm, SMART Wall Stand WSE-400/410
5	1032779	1	IFP Panel Kit, SMART Stand FSE-400/410 & WSE-400/410

6	1032838	1	Power Bar, Europe
6	1032872	1	Power Bar, North America
6	1033107	1	Power Bar, United Kingdom
7	1032667	1	Cabling, SMART Electric Stands FSE-400/410 & WSE-400/410